

JUMO GmbH & Co. KG
 Delivery address: Mackenrodtstraße 14
 36039 Fulda, Germany
 Postal address: 36035 Fulda, Germany
 Phone: +49 661 6003-0
 Fax: +49 661 6003-607
 Email: mail@jumo.net
 Internet: www.jumo.net

JUMO Instrument Co. Ltd.
 JUMO House
 Temple Bank, Riverway
 Harlow, Essex, CM20 2DY, UK
 Phone: +44 1279 63 55 33
 Fax: +44 1279 62 50 29
 Email: sales@jumo.co.uk
 Internet: www.jumo.co.uk

JUMO Process Control, Inc.
 6733 Myers Road
 East Syracuse, NY 13057, USA
 Phone: +1 315 437 5866
 Fax: +1 315 437 5860
 Email: info.us@jumo.net
 Internet: www.jumousa.com



JUMO dTRANS p30

Pressure Transmitter

General application

Pressure transmitters are used to measure the relative (gauge) and absolute pressures in liquids or gases. The measuring device for the transmitter is a piezo-resistive element or a thin-film strain gauge. The pressure is converted into an electrical signal.

The device is certified according to EHEDG in the versions with process connections (clamp) DN 25, 32, 40 and 50 as well as JUMO PEKA.

Technical data

Reference conditions
 as per DIN 16086 and DIN 60770

Ranges
 see order details

Overload limit
 ranges 0 to 25 bar
 3 x full scale
 ranges "0 to 40 bar" up to
 "0 to 250 bar"
 2 x full scale
 ranges "0 to 400 bar" up to
 "0 to 600 bar"
 1.5 full scale

Bursting pressure
 ranges 0 to 40 bar
 ≤ 4 x full scale
 ranges "0 to 60 bar" up to
 "0 to 100 bar"
 8 x full scale
 ranges "0 to 160 bar" up to
 "0 to 400 bar"
 5 x full scale
 ranges 0 to 600 bar
 3 x full scale

Parts in contact with medium
 normally:
 Stainless steel 316 Ti/316 L
 for range ≥ 60 bar:
 Stainless steel 316 Ti/630

Output
 0 to 20 mA, three-wire,
 burden ≤ (U_B-12 V) ÷ 0.02 A
 4 to 20 mA, two-wire,
 burden ≤ (U_B-10 V) ÷ 0.02 A
 4 to 20 mA, three-wire,
 burden ≤ (U_B-12 V) ÷ 0.02 A
 0.5 to 4.5 V, burden ≥ 50 kΩ
 1 to 6 V, burden ≥ 10 kΩ
 0 to 10 V, burden ≥ 10 kΩ

Burden error
 < 0.5 % max.

Zero offset
 ≤ 0.3% MSP (measuring span)

Thermal hysteresis
 ≤ ± 0.5 % max. MSP
 (within compensated temperature range)
 ≤ ± 1 % max. for ranges
 0 to 0.25 bar
 0 to 0.4 bar
 0 to 0.6 bar

Ambient temperature error
 within range 0 to 100 °C
 (compensated temperature range)
 for ranges 0.25 and 0.4 bar
 zero: ≤ 0.03 %/°C typical,
 ≤ 0.05 %/°C max.
 measuring span: ≤ 0.02 %/°C typical,
 ≤ 0.04 %/°C max.
 for ranges above 0.6 bar
 zero: ≤ 0.02 %/°C typical,
 ≤ 0.04 %/°C max.



Type 404366 with terminal box

span: ≤ 0.02 %/°C typical,
 ≤ 0.04 %/°C max.
 with basic type extension 024:
 zero: ≤ 0.01 %/°C

Deviation from characteristic
 ≤ 0.5 % MSP (limit point adjustment)
 with basic type extension 023:
 ≤ 0.2 % MSP (limit point setting)

Hysteresis
 ≤ 0.1 % MSP

Repeatability
 ≤ 0.05 % MSP

Response time
 with current output
 (output 402, 405 or 406):
 ≤ 3 msec max.
 with voltage output
 (output 412, 415, 418 or 420):
 ≤ 10 msec max.

Stability per year
 ≤ 0.5 % MSP

Approval and approval marks (see Technical Data)



JUMO GmbH & Co. KG
 Delivery address: Mackenrodtstraße 14
 36039 Fulda, Germany
 Postal address: 36035 Fulda, Germany
 Phone: +49 661 6003-0
 Fax: +49 661 6003-607
 Email: mail@jumo.net
 Internet: www.jumo.net

JUMO Instrument Co. Ltd.
 JUMO House
 Temple Bank, Riverway
 Harlow, Essex, CM20 2DY, UK
 Phone: +44 1279 63 55 33
 Fax: +44 1279 62 50 29
 Email: sales@jumo.co.uk
 Internet: www.jumo.co.uk

JUMO Process Control, Inc.
 6733 Myers Road
 East Syracuse, NY 13057, USA
 Phone: +1 315 437 5866
 Fax: +1 315 437 5860
 Email: info.us@jumo.net
 Internet: www.jumousa.com



Voltage supply

DC 10 to 30 V (output 4 to 20 mA and 1 to 6 V)

DC 5 V (output 0.5 to 4.5 V)

DC 11.5 to 30 V (output 0 to 10 V)

DC 11.5 to 30 V (output 0(4) to 20 mA)

Ripple: the voltage spikes must not go above or below the values specified for the voltage supply

Requirements: The device must be equipped with an electrical circuit that meets the requirements of EN 61010-1 with regard to "Limited-energy circuits".

max. current drawn: approx. 25 mA

Supply voltage error

≤ 0.02 % per V

(nominal supply voltage DC 24 V)

in proportion for voltage supply

DC 5 V (±0.5 V)

Permissible ambient temperature

-20 to +100 °C

Storage temperature

-40 to +125 °C

Permissible temperature of medium

-30 to +120 °C

Electromagnetic compatibility

EN 61326

interference emission: Class B¹

noise immunity: industrial requirements

Mechanical shock

(to IEC 68-2-27)

100 g/1 msec

Mechanical vibration

(to IEC 68-2-6)

20 g max. at 15 to 2000 Hz

Protection

with terminal box

IP65 to EN 60529

(connecting cable diameter 5 mm min., 7 mm max.)

with connecting cable

IP67 to EN 60529

with circular connector M12 × 1

IP67 to EN 60529

¹ The product is suitable for industrial use as well as for households and small businesses.

Housing

Stainless steel 304

Polycarbonate GF

Pressure connection

see order details;

other connections on request

Electrical connection

see order details

terminal box to DIN 43650, Form A,

conductor cross-section up to 1.5 mm²; or

attached 4-core PVC cable, length 2 m

other lengths on request

Nominal position

unrestricted

Weight

200 g

Approval and approval marks

<p>EHEDG</p> <p>Test facility</p> <p>Certificate/Certification number</p> <p>Inspection basis</p> <p>Valid for</p>	<p>Research Center Weihenstephan for Brewing and Food Quality</p> <p>EL Class 1/EHEDG-C2000058</p> <p>EHEDG design specifications (Doc. 8 – Hygienic Design Principles)</p> <p>EHEDG tests for verifying ease of cleaning (Doc. 2, Third Edition, July 2004, updated June 2007)</p> <p>Process connection 613 (Clamp DN 25, 32, 40),</p> <p>Process connection 616 (Clamp DN 50),</p> <p>Process connection 997 (JUMO PEKA hygienic process connection)</p>
--	---

JUMO GmbH & Co. KG
 Delivery address: Mackenrodtstraße 14
 36039 Fulda, Germany
 Postal address: 36035 Fulda, Germany
 Phone: +49 661 6003-0
 Fax: +49 661 6003-607
 Email: mail@jumo.net
 Internet: www.jumo.net

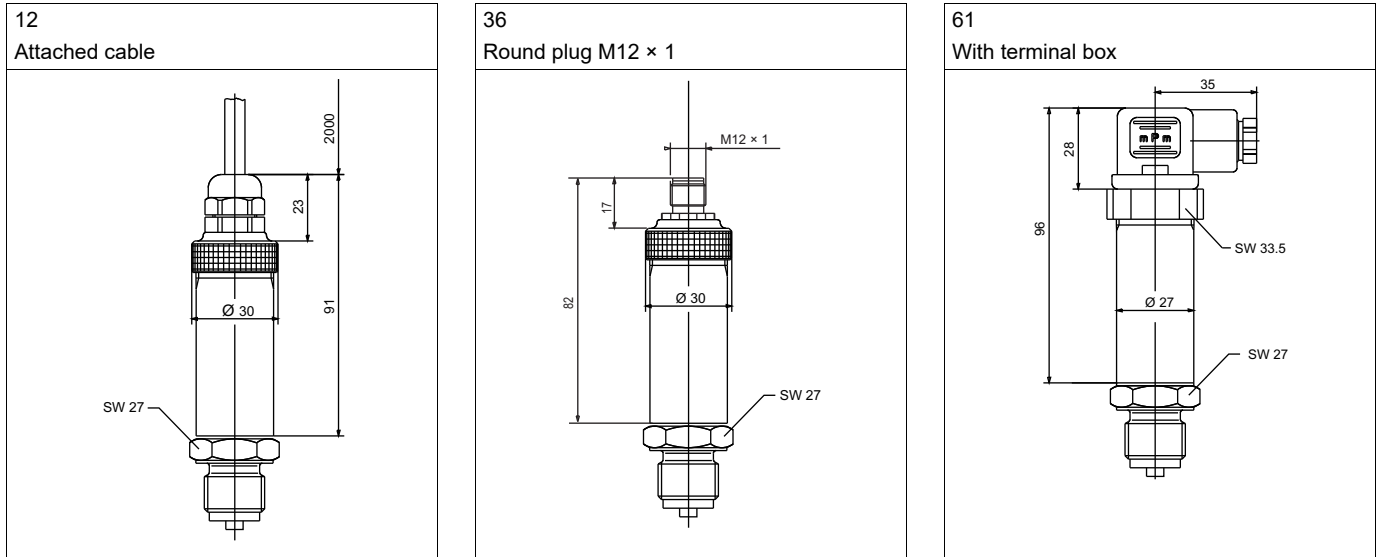
JUMO Instrument Co. Ltd.
 JUMO House
 Temple Bank, Riverway
 Harlow, Essex, CM20 2DY, UK
 Phone: +44 1279 63 55 33
 Fax: +44 1279 62 50 29
 Email: sales@jumo.co.uk
 Internet: www.jumo.co.uk

JUMO Process Control, Inc.
 6733 Myers Road
 East Syracuse, NY 13057, USA
 Phone: +1 315 437 5866
 Fax: +1 315 437 5860
 Email: info.us@jumo.net
 Internet: www.jumousa.com

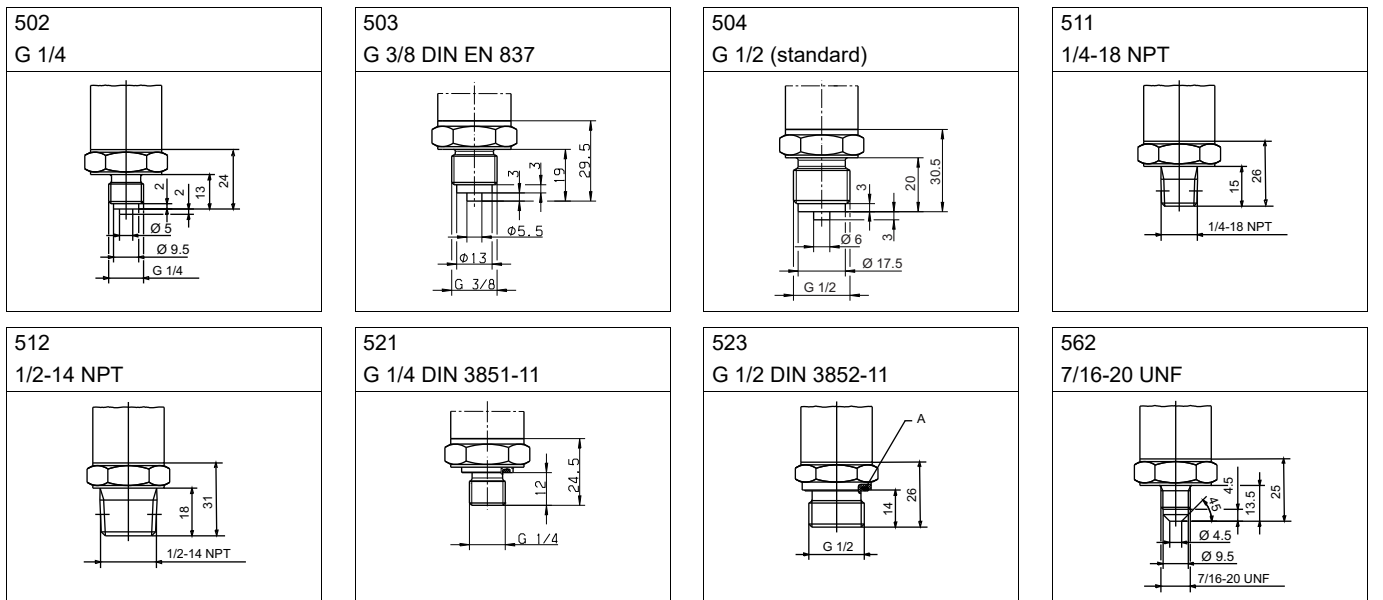


Dimensions

Electrical connection



Process connections, not front-flush



A Profile seal

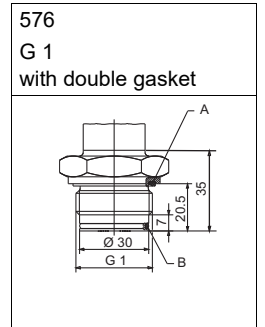
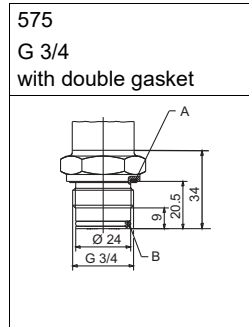
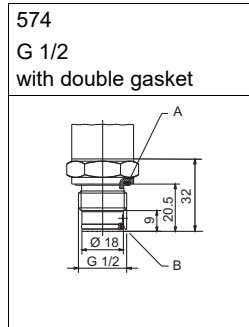
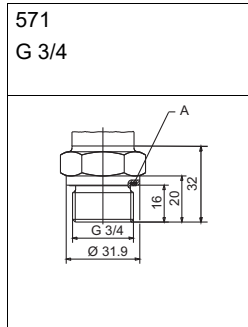
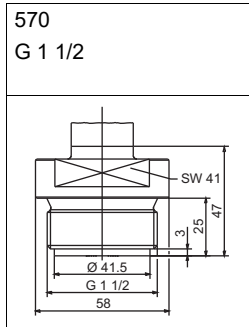
JUMO GmbH & Co. KG
 Delivery address: Mackenrodtstraße 14
 36039 Fulda, Germany
 Postal address: 36035 Fulda, Germany
 Phone: +49 661 6003-0
 Fax: +49 661 6003-607
 Email: mail@jumo.net
 Internet: www.jumo.net

JUMO Instrument Co. Ltd.
 JUMO House
 Temple Bank, Riverway
 Harlow, Essex, CM20 2DY, UK
 Phone: +44 1279 63 55 33
 Fax: +44 1279 62 50 29
 Email: sales@jumo.co.uk
 Internet: www.jumo.co.uk

JUMO Process Control, Inc.
 6733 Myers Road
 East Syracuse, NY 13057, USA
 Phone: +1 315 437 5866
 Fax: +1 315 437 5860
 Email: info.us@jumo.net
 Internet: www.jumousa.com



Process connections, front-flush



A Profile seal

A Profile seal

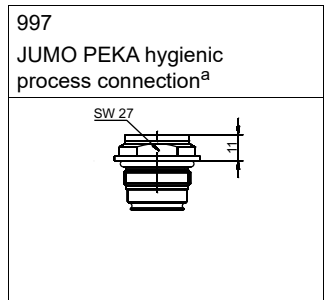
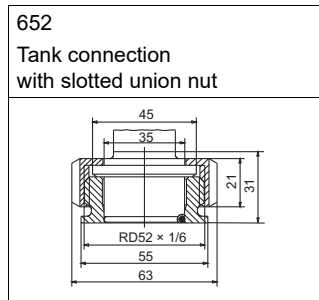
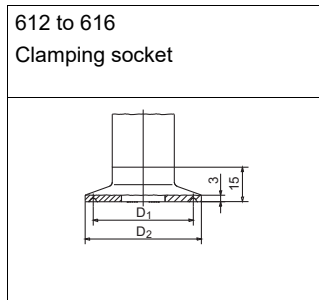
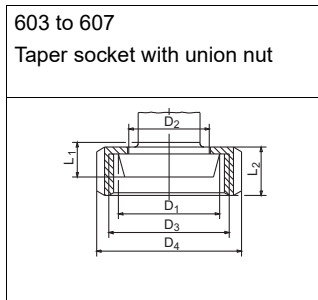
B O-ring 14 × 1.78

A Profile seal

B O-ring 20.35 × 1.78

A Profile seal

B O-ring 26.7 × 1.78



^a certified according to EHEDG

Process connection	DN	Ø D ₁	Ø D ₂	Ø D ₃	Ø D ₄	Ø L ₁	Ø L ₂
603	20	36.5	30	RD44 × 1/6	54	13	21
604	25	44	35	RD52 × 1/6	63	15	
605	32	50	41	RD58 × 1/6	70		
606	40	56	48	RD65 × 1/6	78		
607	50	68.5	61	RD78 × 1/6	92	16	

Process connection	DN DIN 32676	DN (Zoll)	Nominal size ISO 2852	Ø D ₁	Ø D ₂
612	10		18	27.5	34
	15		10		
	20		15		
613 ^a	25	1	20	43.5	50.5
	32	1,5	25		
	40		32		
616 ^a	50	2	40	56.5	64

^a certified according to EHEDG

JUMO GmbH & Co. KG
 Delivery address: Mackenrodtstraße 14
 36039 Fulda, Germany
 Postal address: 36035 Fulda, Germany
 Phone: +49 661 6003-0
 Fax: +49 661 6003-607
 Email: mail@jumo.net
 Internet: www.jumo.net

JUMO Instrument Co. Ltd.
 JUMO House
 Temple Bank, Riverway
 Harlow, Essex, CM20 2DY, UK
 Phone: +44 1279 63 55 33
 Fax: +44 1279 62 50 29
 Email: sales@jumo.co.uk
 Internet: www.jumo.co.uk

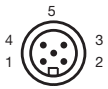
JUMO Process Control, Inc.
 6733 Myers Road
 East Syracuse, NY 13057, USA
 Phone: +1 315 437 5866
 Fax: +1 315 437 5860
 Email: info.us@jumo.net
 Internet: www.jumousa.com



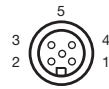
Electrical connection

Connection		Terminals		
		Plug	Cable	M12 × 1
Voltage supply DC 10 to 30 V DC 11.5 to 30 V DC 5 V		1 L+ 2 L-	white grey	1+ 3-
Output 1 to 6 V 0 to 10 V 0.5 to 4.5 V		2 - 3 +	grey yellow	3- 4+
Output 4 to 20 mA, two-wire		1 + 2 - Proportional current 4 to 20 mA in voltage supply	white grey	1+ 3-
Output 0(4) to 20 mA, three-wire		2 - 3 +	grey yellow	3- 4+
Protective conductor				
Screen			black	2
Caution: Earth device (pressure connection and/or or screen)				

Pin assignment M12 × 1



Cable box M12 × 1



Color assignment: Cable box	1 WH	White
	2 BN	Brown
	3 GN	Green
	4 YE	Yellow
	5	Pressure compensation

JUMO GmbH & Co. KG

Delivery address: Mackenrodtstraße 14
36039 Fulda, Germany
Postal address: 36035 Fulda, Germany
Phone: +49 661 6003-0
Fax: +49 661 6003-607
Email: mail@jumo.net
Internet: www.jumo.net

JUMO Instrument Co. Ltd.

JUMO House
Temple Bank, Riverway
Harlow, Essex, CM20 2DY, UK
Phone: +44 1279 63 55 33
Fax: +44 1279 62 50 29
Email: sales@jumo.co.uk
Internet: www.jumo.co.uk

JUMO Process Control, Inc.

6733 Myers Road
East Syracuse, NY 13057, USA
Phone: +1 315 437 5866
Fax: +1 315 437 5860
Email: info.us@jumo.net
Internet: www.jumousa.com

**Order details**

(1)	Basic type
404366/000	JUMO dTRANS p30 – Pressure Transmitter
404366/023	JUMO dTRANS p30 – Pressure Transmitter with reduced deviation of characteristic line ^a
404366/024	JUMO dTRANS p30 – Pressure Transmitter with reduced influence of ambient temperature ^b
404366/999	JUMO dTRANS p30 – Pressure Transmitter, special version
(2)	Input
451	0 to 0.25 bar relative pressure
452	0 to 0.4 bar relative pressure
453	0 to 0.6 bar relative pressure
454	0 to 1 bar relative pressure
455	0 to 1.6 bar relative pressure
456	0 to 2.5 bar relative pressure
457	0 to 4 bar relative pressure
458	0 to 6 bar relative pressure
459	0 to 10 bar relative pressure
460	0 to 16 bar relative pressure
461	0 to 25 bar relative pressure
462	0 to 40 bar relative pressure
463	0 to 60 bar relative pressure
464	0 to 100 bar relative pressure
465	0 to 160 bar relative pressure
466	0 to 250 bar relative pressure
467	0 to 400 bar relative pressure
468	0 to 600 bar relative pressure
478	-1 to 0 bar relative pressure
479	-1 to +0.6 bar relative pressure
480	-1 to +1.5 bar relative pressure
481	-1 to +3 bar relative pressure
482	-1 to +5 bar relative pressure
483	-1 to +9 bar relative pressure
484	-1 to +15 bar relative pressure
485	-1 to +24 bar relative pressure
487	0 to 600 mbar absolute pressure
488	0 to 1 bar absolute pressure
489	0 to 1,6 bar absolute pressure
490	0 to 2,5 bar absolute pressure
491	0 to 4 bar absolute pressure
492	0 to 6 bar absolute pressure
493	0 to 10 bar absolute pressure
494	0 to 16 bar absolute pressure
495	0 to 25 bar absolute pressure
998	Special range absolute pressure
999	Special range relative pressure
(3)	Output
402	0 to 20 mA, three-wire
405	4 to 20 mA, two-wire
406	4 to 20 mA, three-wire
412	0,5 to 4,5 V, three-wire
415	0 to 10 V, three-wire
418	1 to 5 V, three-wire
420	1 to 6 V, three-wire

JUMO GmbH & Co. KG

Delivery address: Mackenrodtstraße 14
36039 Fulda, Germany
Postal address: 36035 Fulda, Germany
Phone: +49 661 6003-0
Fax: +49 661 6003-607
Email: mail@jumo.net
Internet: www.jumo.net

JUMO Instrument Co. Ltd.

JUMO House
Temple Bank, Riverway
Harlow, Essex, CM20 2DY, UK
Phone: +44 1279 63 55 33
Fax: +44 1279 62 50 29
Email: sales@jumo.co.uk
Internet: www.jumo.co.uk

JUMO Process Control, Inc.

6733 Myers Road
East Syracuse, NY 13057, USA
Phone: +1 315 437 5866
Fax: +1 315 437 5860
Email: info.us@jumo.net
Internet: www.jumousa.com



(4) Process connection	
502	G 1/4 DIN EN 837
503	G 3/8 DIN EN 837
504	G 1/2 DIN EN 837
511	1/4-18 NPT DIN EN 837
512	1/2-14 NPT DIN EN 837
521	G 1/4 DIN 3851-11
523	G 1/2 DIN 3852-11
562	7/16-20 UNF
570	G 1 1/2 front-flush DIN EN ISO 228-1 ^c
571	G 3/4 front-flush DIN EN ISO 228-1 ^c
574	G 1/2 front-flush, with double gasket ^d
575	G 3/4 front-flush, with double gasket ^c
576	G 1 front-flush, with double gasket ^c
603	Taper socket with union nut DN 20 DIN 11851 (dairy pipe fitting) ^c
604	Taper socket with union nut DN 25 DIN 11851 (dairy pipe fitting) ^c
605	Taper socket with union nut DN 32 DIN 11851 (dairy pipe fitting) ^c
606	Taper socket with union nut DN 40 DIN 11851 (dairy pipe fitting) ^c
607	Taper socket with union nut DN 50 DIN 11851 (dairy pipe fitting) ^c
612	Clamping socket DN 10/15/20 DIN 32676 ^c
613	Clamping socket DN 25/40 DIN 32676 ^{c, e}
616	Clamping socket DN 50 (2") DIN 32676 ^{c, e}
652	Tank connection with union nut DN 25
996	Diaphragm seal version, welded
997	JUMO-PEKA hygienic process connection ^{f, e}
998	Diaphragm seal version, screwed
(5) Material of process connection	
20	CrNi (stainless steel)
(6) Electrical connection	
12	Fixed connecting cable shielded 2 m (further length on request)
36	Round plug M12 × 1
61	Cable socket DIN EN 175301-803, Form A
(7) Extra code	
000	None
452	Parts in contact with the medium electro-polished, surface roughness Ra ≤ 0.8 µm
591	Restrictor in pressure channel
624	Free of oil and grease
630	Enlarged pressure channel
631	Higher humidity and vibration protection
634	TAG-number

^a Measuring devices with reduced deviation from characteristic line are not available with process connection 574, they are only available with output 405 and only for measuring spans between 0.6 to 40 bar.

^b Measuring devices with ambient temperature influence are not available with process connection 574, they are only available with outputs 402, 405, 406, 415 and only for measuring spans between 4 to 25 bar.

^c Process connections 570, 571, 575, 576, 603, 604, 605, 606, 607, 612, 613, 616 are only available for measuring spans up to 25 bar.

^d Process connection 574 is only available for measuring spans between 1 to 400 bar.

^e certified according to EHEDG

^f Suitable process connection adapters can be found on data sheet or price sheet 409711.

Order code (1) (2) (3) (4) (5) (6) (7)
 Order example - - - - - /
 404366/000 - 461 - 405 - 504 - 20 - 61 / 000

JUMO GmbH & Co. KG
 Delivery address: Mackenrodtstraße 14
 36039 Fulda, Germany
 Postal address: 36035 Fulda, Germany
 Phone: +49 661 6003-0
 Fax: +49 661 6003-607
 Email: mail@jumo.net
 Internet: www.jumo.net

JUMO Instrument Co. Ltd.
 JUMO House
 Temple Bank, Riverway
 Harlow, Essex, CM20 2DY, UK
 Phone: +44 1279 63 55 33
 Fax: +44 1279 62 50 29
 Email: sales@jumo.co.uk
 Internet: www.jumo.co.uk

JUMO Process Control, Inc.
 6733 Myers Road
 East Syracuse, NY 13057, USA
 Phone: +1 315 437 5866
 Fax: +1 315 437 5860
 Email: info.us@jumo.net
 Internet: www.jumousa.com



Stock versions

Order code	Part no.
404366/000-451-405-504-20-61/000	43006500
404366/000-451-405-571-20-61/000	43007916
404366/000-452-405-504-20-61/000	43006493
404366/000-453-405-504-20-61/000	43008131
404366/000-454-405-504-20-61/000	00392193
404366/000-454-405-571-20-61/000	43007917
404366/000-455-405-504-20-61/000	43008069
404366/000-456-405-504-20-61/000	00394352
404366/000-457-405-504-20-61/000	43006501
404366/000-458-405-504-20-61/000	43007816
404366/000-459-405-504-20-61/000	00391647
404366/000-459-405-604-20-61/000	43008066
404366/000-459-405-571-20-61/000	43008095
404366/000-459-405-574-20-61/000	43008164
404366/000-459-405-613-20-61/000	43008621
404366/000-459-415-504-20-61/000	43006543
404366/000-460-405-504-20-61/000	00391650
404366/000-461-405-504-20-61/000	43006495
404366/000-464-405-504-20-61/000	43006496
404366/000-466-405-504-20-61/000	43006498
404366/000-467-405-504-20-61/000	43006511
404366/000-478-405-504-20-61/000	43006494
404366/000-481-405-504-20-61/000	43006531
404366/000-488-405-504-20-61/000	43008096
404366/000-488-406-504-20-61/000	43007910
404366/000-488-415-504-20-61/000	43007892
404366/000-489-405-504-20-61/000	43008058
404366/024-491-405-504-20-61/000	43008375
404366/024-491-402-504-20-61/000	43006756

Accessories

Designation	Part no.
Line socket, 4-pole, M12 × 1, straight, 2 m	00404585
Line socket, 4-pole, M12 × 1, angled, 2 m	00409334
Line socket, 4-pole, M12 × 1, pressure compensation, 5 m	00512341